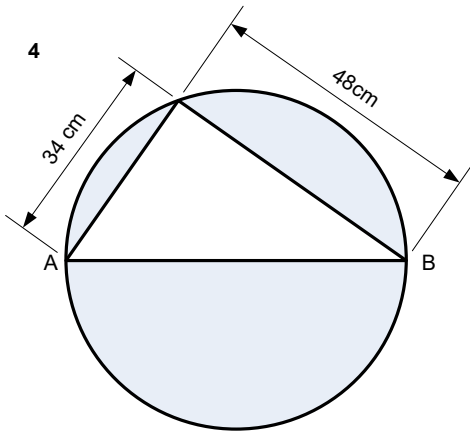
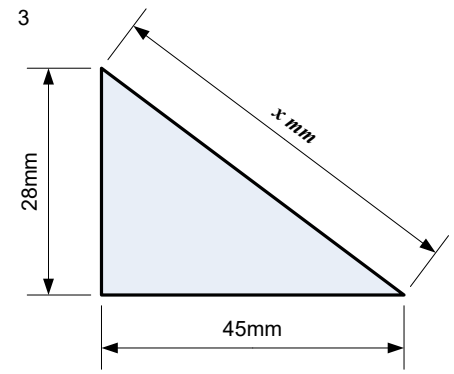
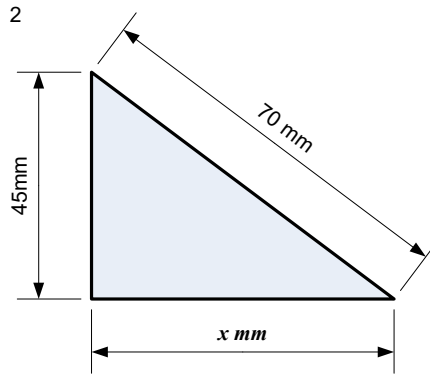
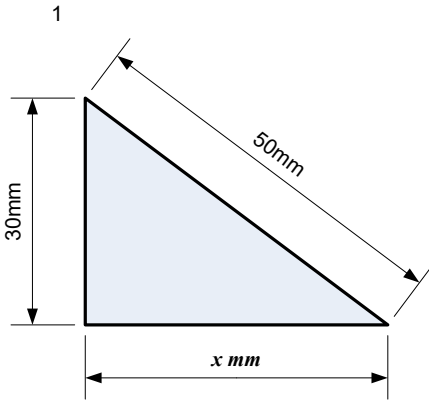


# Pythagoras' Theorem



For each of the questions, 4 – 10:

AB is the diameter.

Find the area of the shaded part of the circle.

Remember to use the example from yesterday's lesson.

